

General Description

The DODGECAM® is a proven platform to conveniently demonstrate the capabilities of ImmerVision 360° Panoramic Imaging Technology: Panomorph optics and imaging algorithms. This system uses an IQeye511 network camera, an ImmerVision IMV1-1/3NI Panomorph lens and the Generic ImmerVision's Demo Player. The DODGECAM® allows to demonstrate panoramic functionality for various applications.

Key Features

- Complete integration between Camera - Panomorph Optic – Viewing Software
- Pixel Usage optimization
- 1.3Mpix resolution (1280 x 1024)
- 15 images/second at full resolution (or more at lower resolution)
- Small form function package (75mm H x 88mm W x 90mm D)

Product Image



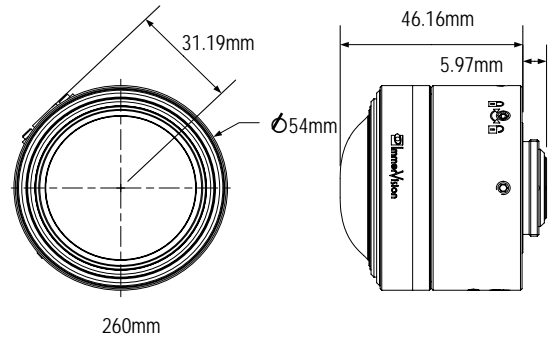
Applications

- Defense
- Aerospace
- Machine Vision
- Automotive
- Robotics and Unmanned Vehicles



ImmerVision IMV1-1/3NI Specifications

Full FOV	182°
Focal Length	0.9mm (short axis) 1.15 mm (long axis)
Spectral Pass band	Visible from 400 nm to 700 nm
Focal Ratio	F/2.4
Focus	Infinity to 20 mm
Focal Plane Field	3.4 mm X 4.6 mm (oval footprint)
MTF performance	At 70 cycle/mm (640x480) <ul style="list-style-type: none"> ▪ On Axis > 60% ▪ 80% diagonal > 50% ▪ Corner > 35%
Weight	180 g
Operating temp.	-20°C to +60°C



IMV1-1/3NI

Please refer to www.immervision.com for more details

Demo Player Specifications

- Full 360-degree panoramic functionality
- Multi-Viewing Modes
 - Pan Tilt Zoom View
 - Perimeter View: 2 x 180° view
 - 4 simultaneous PTZ view

Please note that ImmerVision's Demo Player is delivered as is. If you need any customization, please communicate with ImmerVision.com.



Condition of use: The DODGECAM is to be used under controlled environment and is intended to evaluate/demonstrate panoramic functionality using panomorph technology. ImmerVision and panomorph is a trade mark of ImmerVision and support/warranty on the Demo Viewer software will be provided by ImmerVision. IQeye is a trademark of IQinvision and IQInvision will provide the support/warranty for the IQeye511 Camera.

FOR MORE INFORMATION CONTACT:

HEDZOPT

2800, Louis Lumiere
Québec, QC
Canada, G1P 0A4
Tel : 418-263-5171
Fax : 866-877-7760
www.hedzopt.com
info@hedzopt.com

HZT-5-8001B

Copyright © 2008 by HEDZOPT Inc. All rights to trademarks reside with their respective owners. Specifications subject to change without notice. Pictures, schematics and other graphics contained herein are published for illustration purposes only and do not present product configurations or functionality. User documentation accompanying the product is the exclusive source for functionality descriptions. We reserve the rights to amend this data without prior notice

IQeye511 Specifications

- Less than 2.5 watts of power - Power Over Ethernet
- Operating Temp.: 0 to +60°C
- Compression MJPEG-JPEG
- Digital PTX – Live and playback
- Light Sensivity – 0.1 LUX
- LIGHTGRABBER™ low light technology
- Dome Enclosure available

Please refer to www.IQeye.com for more details

Online support available at:
www.iqeyes.com/contact-form.html

